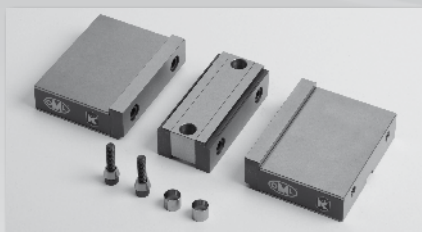


DUO-LOCK HD

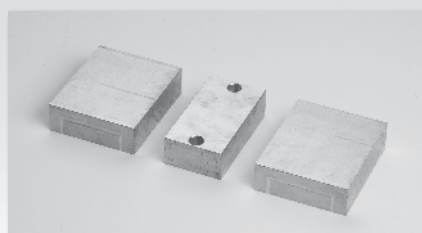
Pag. 10 .3

base equipment DUO-LOCK HD
with wrench



Set of hard jaws

Pag. 10 .3



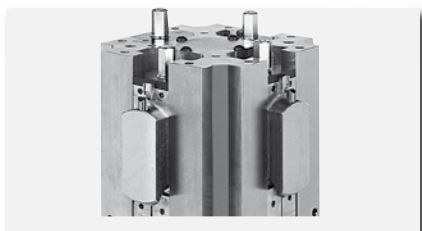
Set of soft jaws

Pag. 10 .3



Conversion kit for single clamping

Pag. 10 .9



THD tower DUO-LOCK HD

Pag. 10 .6



CLAK DUO-LOCK

Pag. 10 .10

Modular parallels and soft jaws/
QUICK CHANGE



Accessories and spare parts

Pag. 10 .12

The most important features of the vises DUO-LOCK and MDC merge into the new DUO-LOCK HD with interchangeable quickjaws change

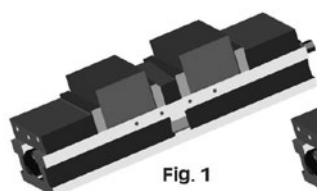
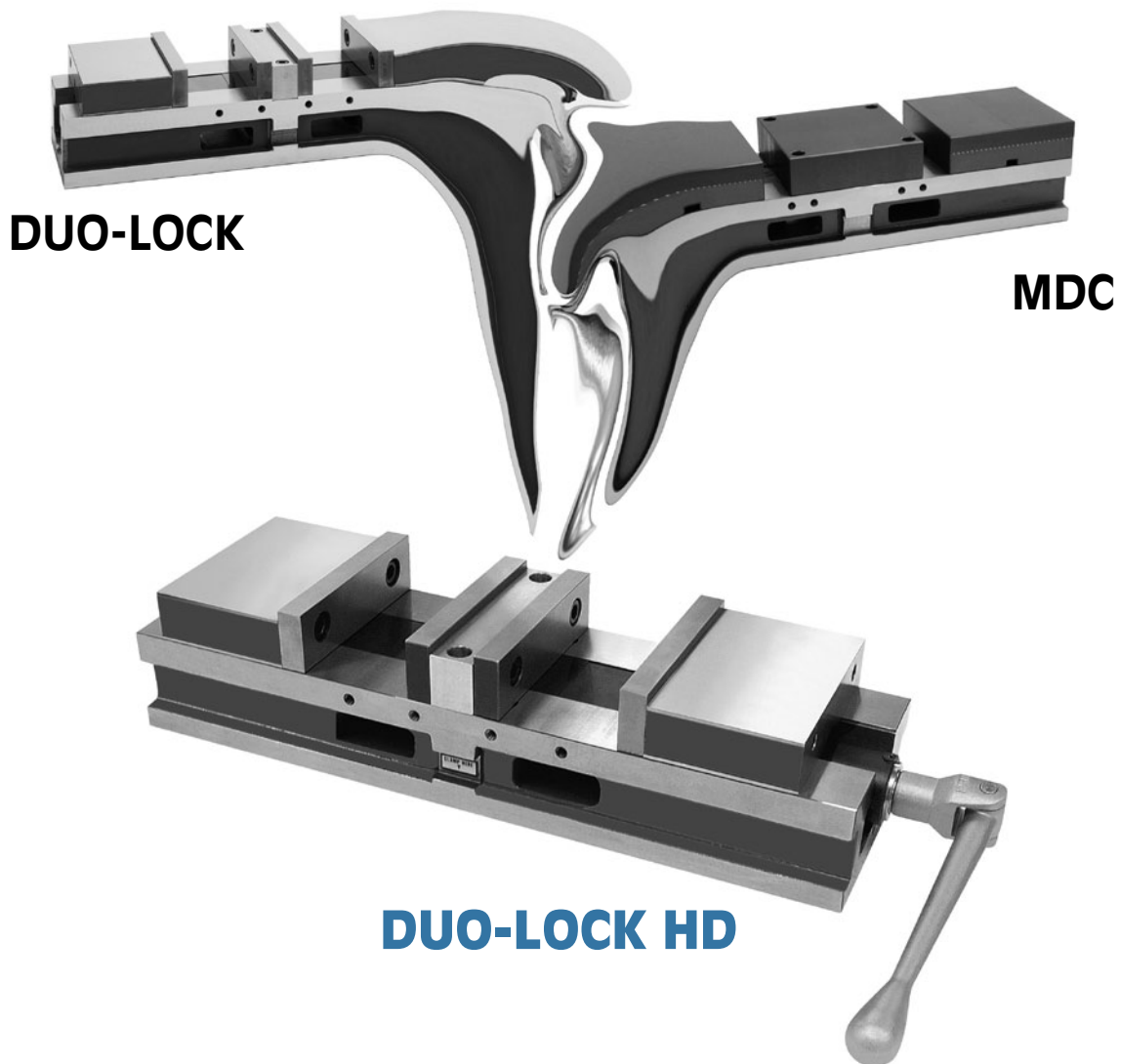


Fig. 1

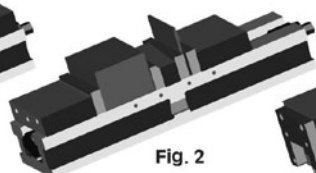


Fig. 2

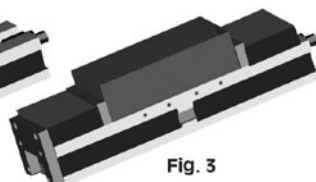


Fig. 3

DUO-LOCK HD is NOT a self-centering vise therefore with DUO-LOCK HD it is possible to clamp 2 workpieces of the **same** dimension (picture n° 1), 2 workpieces of **different** dimensions (picture n° 2), 1 workpiece of **large** dimension by means of the conversion kit (picture n° 3)

Base equipment DUO-LOCK HD with wrench



Code	for type
77 58 78 00	DL - HD 100
77 58 79 00	DL - HD 150



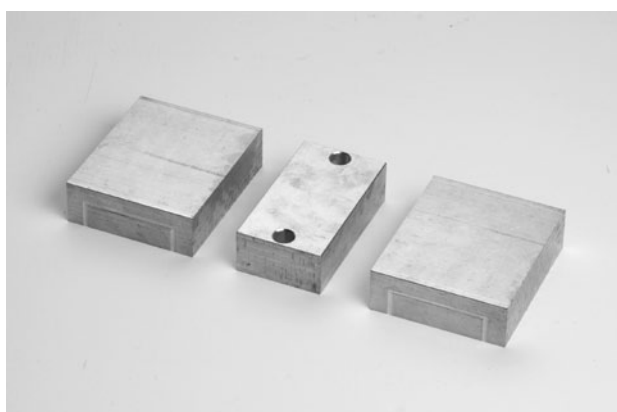
Set of hard jaws

Code	for type
58 78 84 10	DL - HD 100
58 79 84 10	DL - HD 150



Set of soft steel jaws

Code	for type
58 78 86 10	DL-HD 100
58 79 86 10	DL-HD 150



Set of soft alu jaws

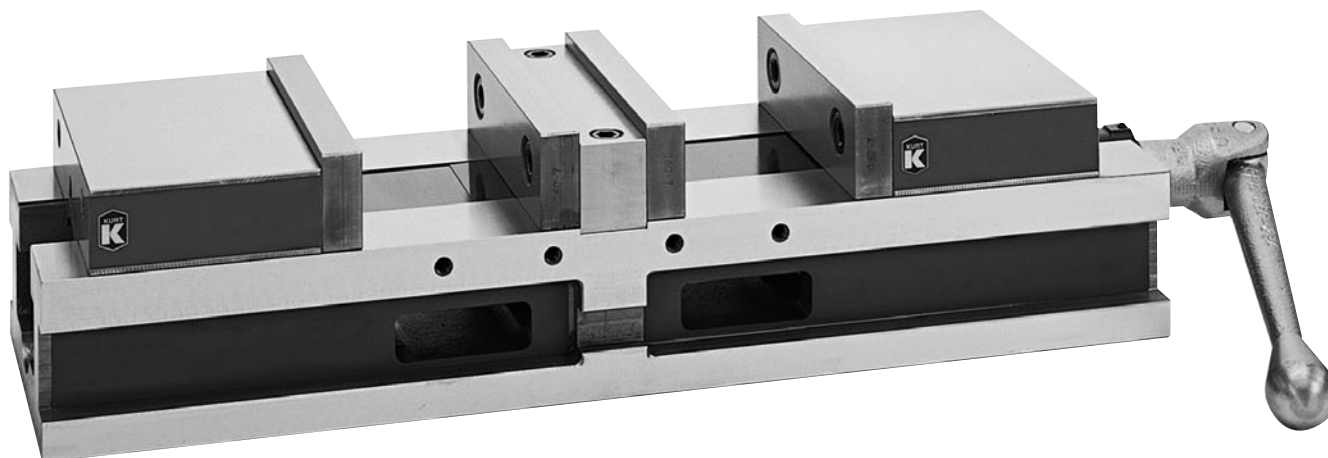
Code	for type
58 78 85 10	DL-HD 100
58 79 85 10	DL-HD 150

DUO-LOCK HD

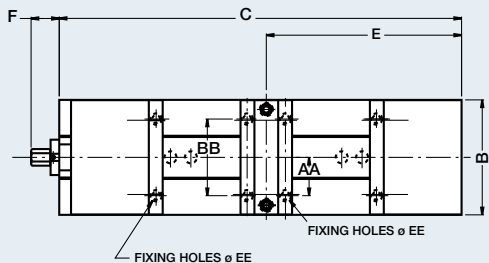
double clamping equipment

Double clamping equipment with set of hard jaws

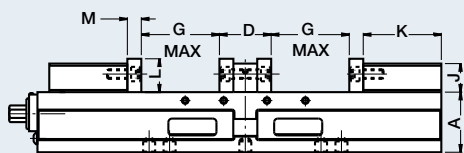
Working example



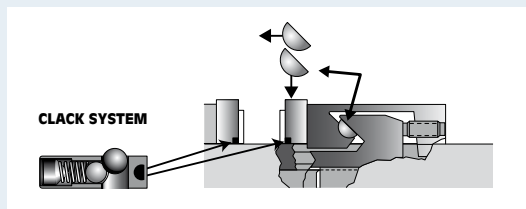
TOP VIEW



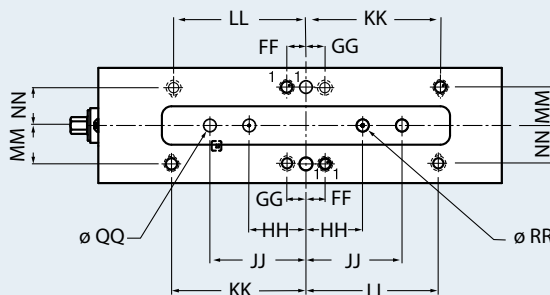
LATERAL VIEW



Pull down jaws system

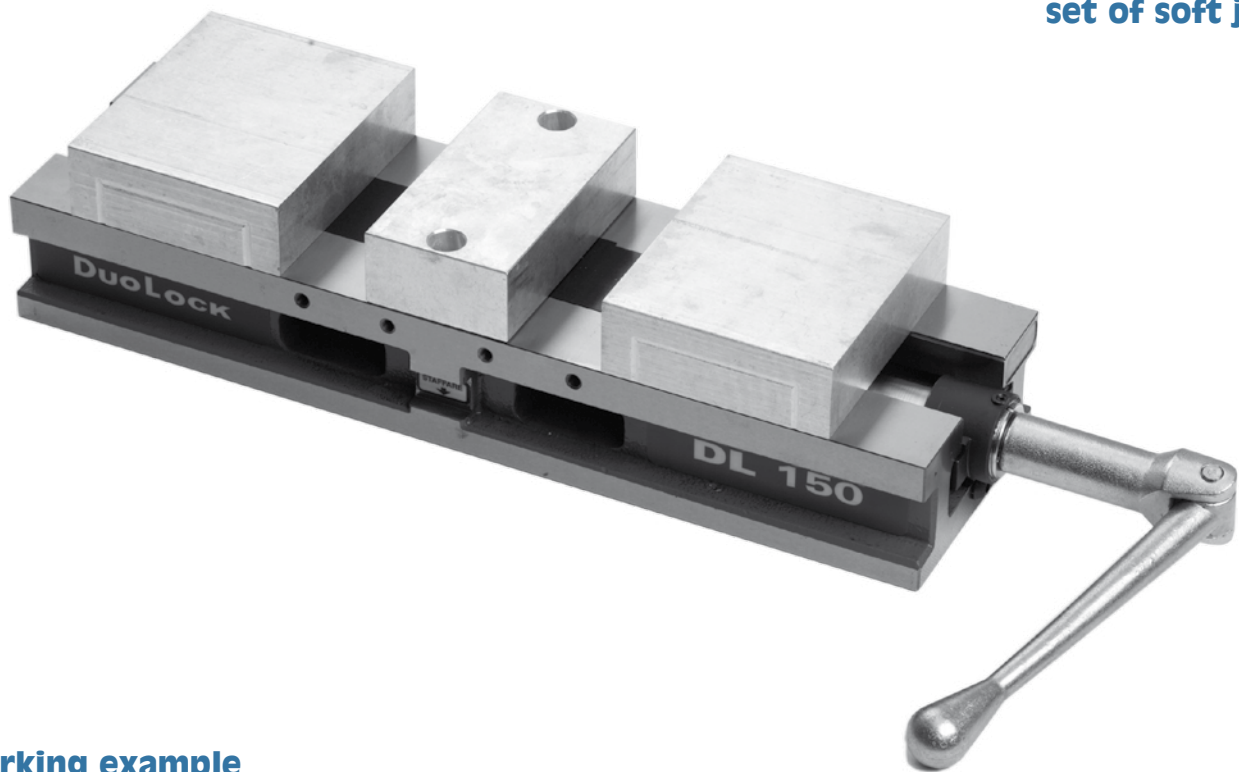


BOTTOM VIEW

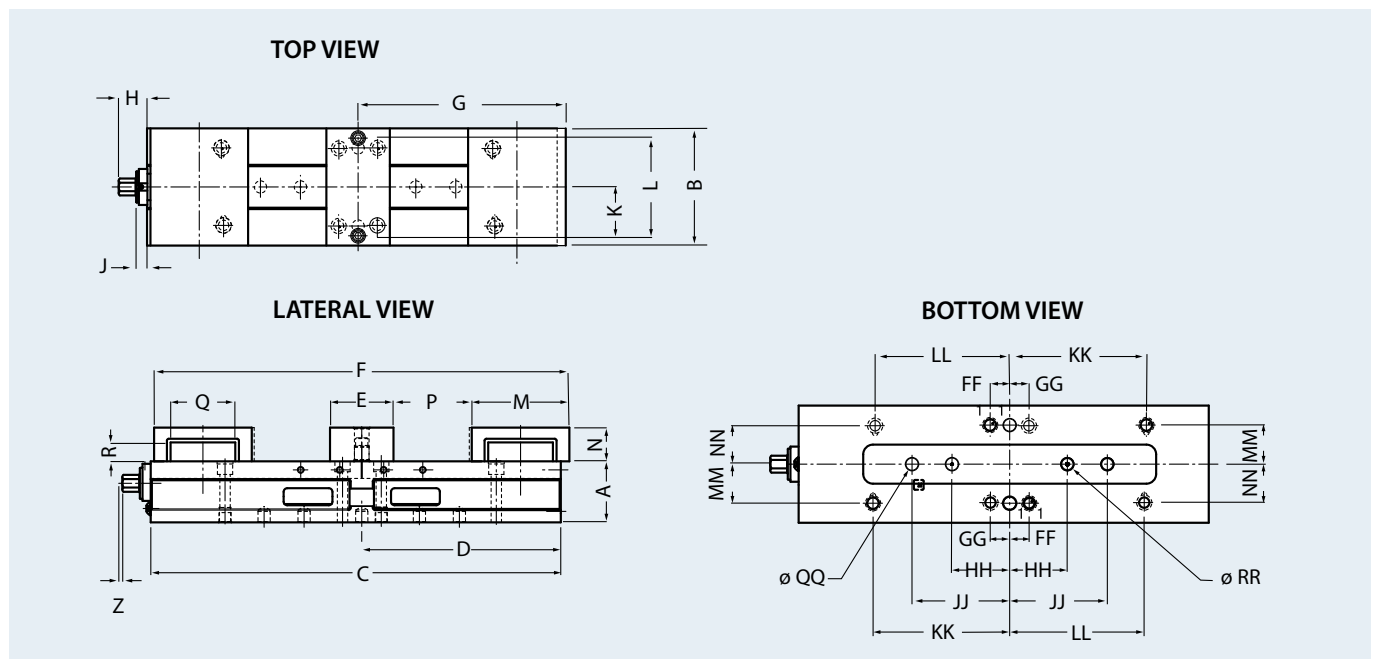


		A	B	C	D	E	F	G	J	K	L	M	FF	GG	HH	JJ	KK
		mm	mm	mm	mm	mm	mm	mm	mm	mm	mm	mm	mm	mm	mm	mm	mm
type	DL-HD 100	60,32	101,6	415,92	59,53	200,02	34,0	76,2	28,3	73,8	31,4	13,9	19,05	20	100	133,35	133,35
		LL	MM	NN	QQ	RR	weight										
type	DL-HD 100	100	38,1	40	15,87	16	20,4										
		A	B	C	D	E	F	G	J	K	L	M	FF	GG	HH	JJ	KK
		mm	mm	mm	mm	mm	mm	mm	mm	mm	mm	mm	mm	mm	mm	mm	mm
type	DL-HD 150	79,4	152,4	533,4	68,3	258,9	37,3	101,6	37,3	101,6	44,1	18,4	25,4	25	75	127	177,8
		LL	MM	NN	QQ	RR	weight										
type	DL-HD 150	175	50,8	50	15,87	16	45,4										

Double clamping equipment with set of soft jaws

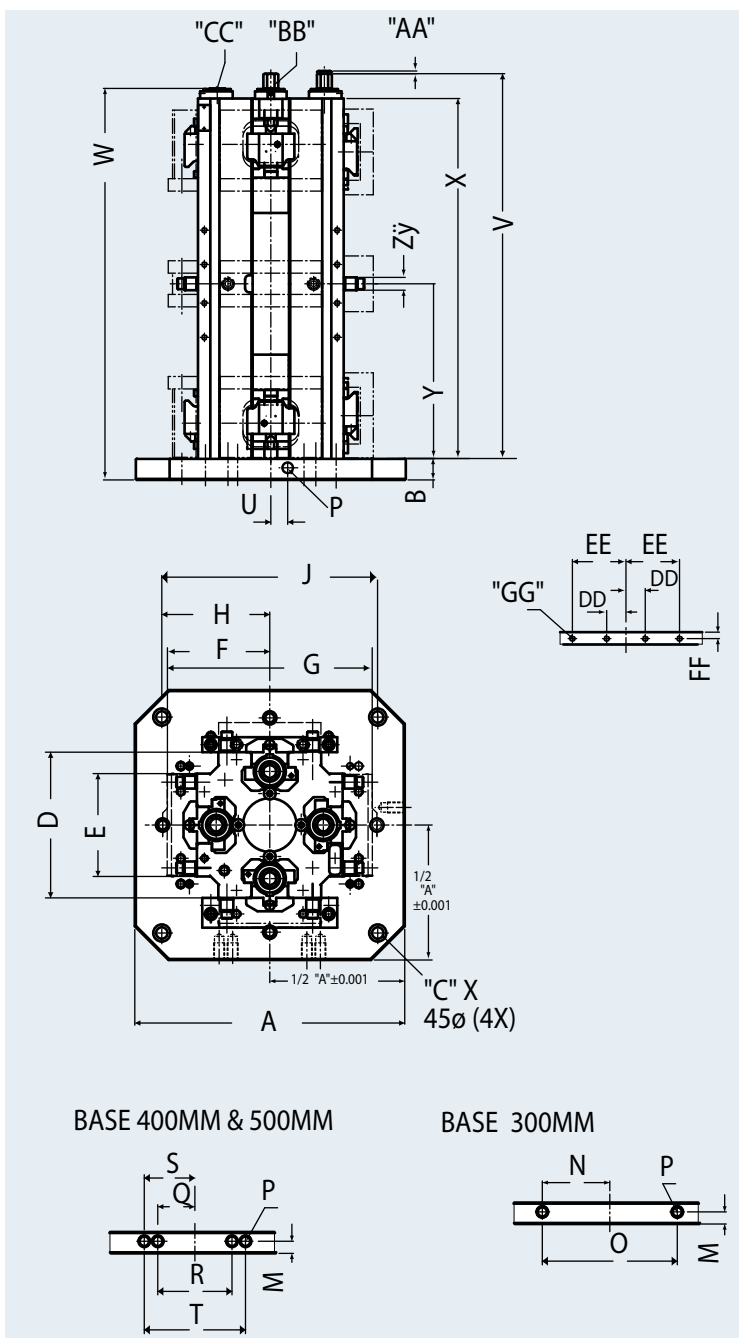


Working example



		A	B	C	D	E	F	G	H	J	K	L	M	N	P	Q
		mm	mm	mm	mm	mm	mm	mm	mm	mm	mm	mm	mm	mm	mm	mm
type	DL-HD 100	60,325	101,6	415,925	200,025	63,5	418,287	209,144	33,68	9,855	41,275	82,55	101,6	35,56	75,794	65,075
		R	Z	FF	GG	HH	JJ	KK	LL	MM	NN	QQ	RR	weight		
type	DL-HD 100	20,625	3,048	19,05	20	100	133,35	133,35	100	38,1	40	15,875	16	15,42		
		R	Z	FF	GG	HH	JJ	KK	LL	MM	NN	QQ	RR	weight		
type	DL-HD 150	79,375	152,4	533,4	258,877	82,55	539,75	269,875		21,844		127	127	43,891	101,6	84,125
type	DL-HD 150	24,613	3,962	25,4	25	75	127	177,8	175	50,8	50	15,875	16	32,21		

Tower DUO-LOCK HD

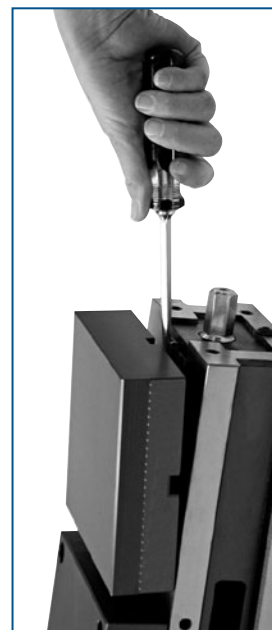


type	weight kg
------	-----------

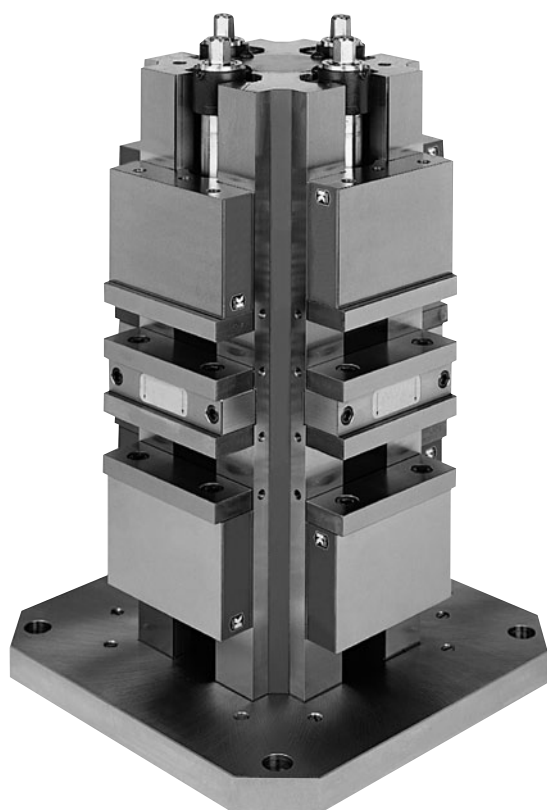
THD 100/300	159,2
THD 150/400	208,7
THD 150/500	229,1

Code	type	A mm	B mm	C mm	D mm	E mm	F mm	G mm	H mm	J mm	K mm	L mm	M mm	N mm	O mm	P mm
77 58 78 11	THD 100/300	300	25,4	20	158,75	101,6	-	-	127	254	M12	-	15	40	80	M12x1,75
		Q mm	R mm	U mm	V mm	W mm	X mm	Y mm	Z mm	AA mm	BB mm	CC mm	DD mm	EE mm	FF mm	GG mm
		-	-	-	449,6	451,18	415,92	20,03	15	3,05	14,28	11,1	34,92	65,1	9,53	M8x1,25
77 58 79 12	THD 150/400	400	31,75	50	215,9	152,4	158,75	317,5	160	320	M 16		18	M 16x2	55	110
		S mm	T mm	U mm	V mm	W mm	X mm	Y mm	Z mm	AA mm	BB mm	CC mm	DD mm	EE mm	FF mm	GG mm
		75	150	25	570,23	548,38	533,4	258,88	19,05	3,96	19,05	15,875	28,58	79,38	9,53	M 8x1,25
77 58 79 13	THD 150/500		31,75	60		152,4	203,2	406,4	200	400	M16	M 12	18	M 16x2	55	110
		S mm	T mm	U mm	V mm	W mm	X mm	Y mm	Z mm	AA mm	BB mm	CC mm	DD mm	EE mm	FF mm	GG mm
		75	150	25	570,23	548,38	533,4	258,88	19,05	3,96	19,05	15,875	28,58	79,38	9,53	M 8x1,25

Working example for DUO-LOCK HD



Quick jaws change



optional conversion kit available for wider single part clamping (see page 10 .9)



Working example on a FMS system



optional conversion kit available
for wider single part clamping

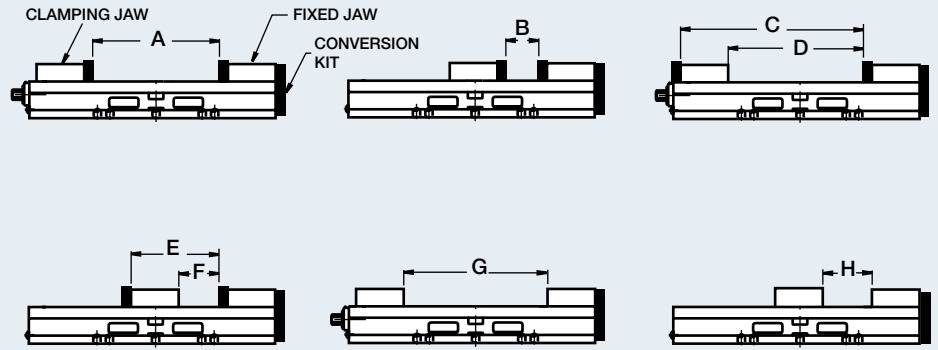
DUO-LOCK HD

10

Conversion kit for DUO-LOCK HD



JAWS POSITION AND OPENING

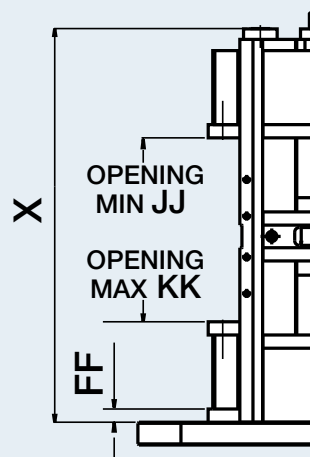


Code	for type	A mm	B mm	C mm	D mm	E mm	F mm	G mm	H mm	Peso kg
58 78 80 10	DL-HD 100	205,6	53,2	297,9	219,5	145,6	67,1	233,4	81,0	1,8
58 79 80 10	DL-HD 150	271,5	68,3	393,1	289,9	189,9	86,7	308,4	105,2	4,5

Conversion kit for TOWER DUO-LOCK HD



LATERAL VIEW



Code	for type	FF mm	HH mm	JJ mm	KK mm
58 78 81 10	DL-HD 100	13,9	106,3	53,1	191,8
58 79 81 10	DL-HD 150	18,4	140	68,3	253

CLAK DUO-LOCK

modular parallels and soft jaws / QUICK CHANGE

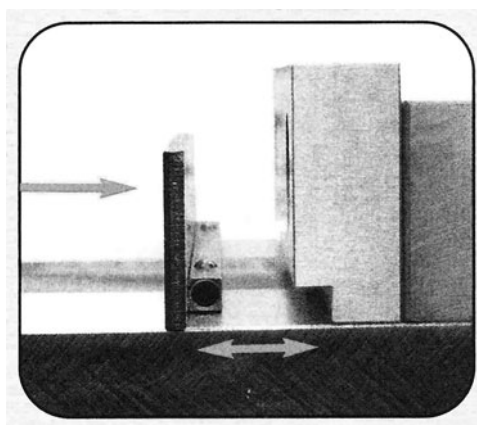
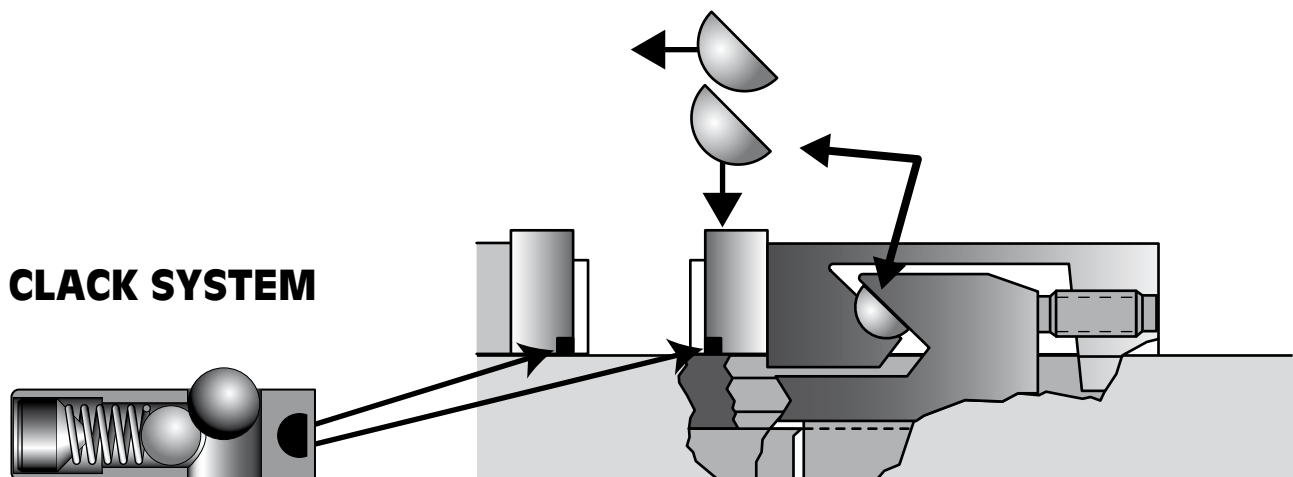
This new patented system allow the quick change of parallels, Vjaws, soft jaws for any type of workpieces.

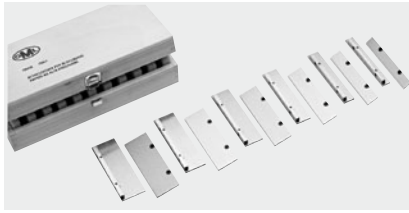
Benefits:

- Reduce downtime and set-up time
- Elimination of clamps and locks thanks to the patented self locking system
- Increase the accuracy of finished parts and reduce scrap

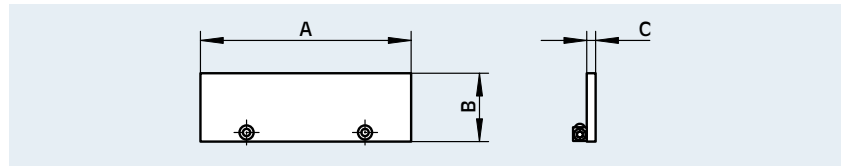
All components are case hardened and precision ground.

The CLAK system can be used for all DUO-LOCK series clamping equipment.



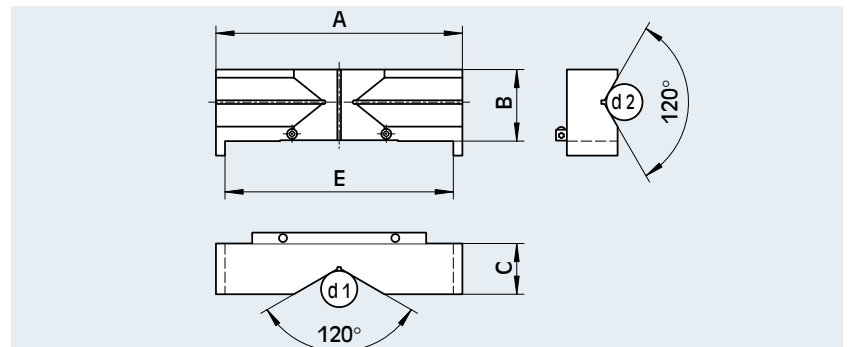
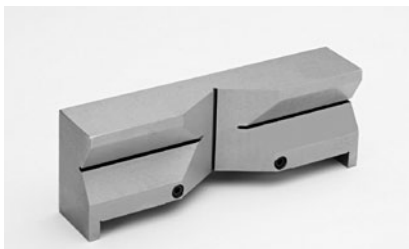


Set of 6 pair of parallels



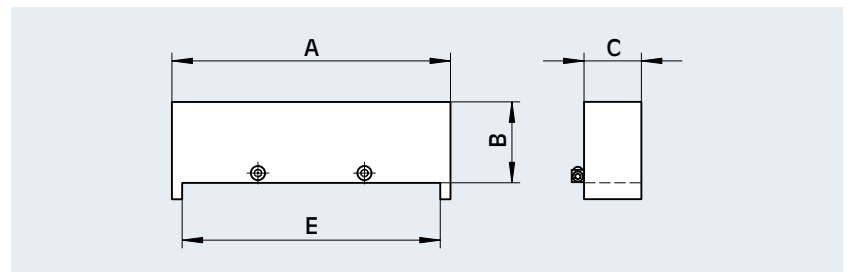
Code	for type	A mm	B mm	C mm
58 71 92 06	DL-HD 100	101	10-12-15-20-25-28	4
58 72 92 06	DL-HD 150	152	15-20-25-30-35-40	4

V jaws



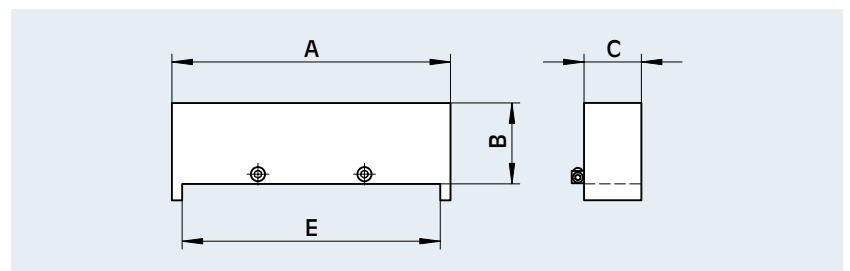
Code	for type	A mm	B mm	C mm	E mm	d 1 mm	d 2 mm
58 71 94 09	DL-HD 100	110	31,4	28	101,6	15-90	10-30
58 72 94 09	DL-HD 150	161	44,1	33	152,4	20-110	15-40

Pair of aluminium jaws



Code	for type	A mm	B mm	C mm	E mm
58 71 95 09	DL-HD 100	110	31,4	28	101,6
58 72 95 09	DL-HD 150	161	44,1	33	152,4

Pair of soft steel jaws



Code	for type	A mm	B mm	C mm	E mm
58 71 96 09	DL-HD 100	110	31,4	28	101,6
58 72 96 09	DL-HD 150	161	44,1	33	152,4



Adjustable lever

Code	for type
58 71 60 10	DL-HD 100
58 72 60 10	DL-HD 150



Speed handle

Code	for type
58 71 61 10	DL-HD 100
58 72 61 10	DL-HD 150



Torque handle

Code	for type
58 71 62 10	DL-HD 100
58 72 62 10	DL-HD 150



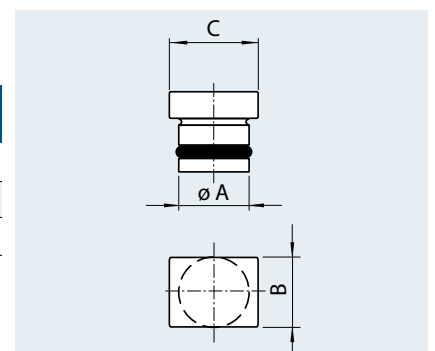
Work-stop DUO-LOCK

Code	for type
	DL-HD 100
58 78 50 10	DL-HD 150



Key

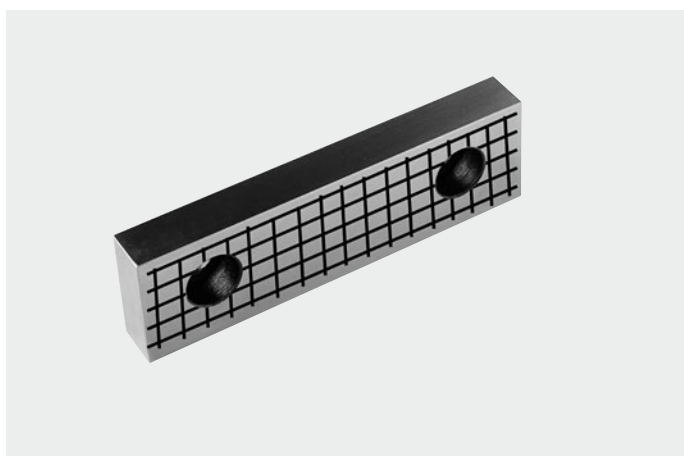
Code	A inch	B mm	C mm
58 78 13 03		14	16
58 78 13 05	0,625	18	20
58 78 13 06		20	22





Ganascia liscia

Code	for type
58 71 04 10	DL-HD 100
58 72 04 10	DL-HD 150

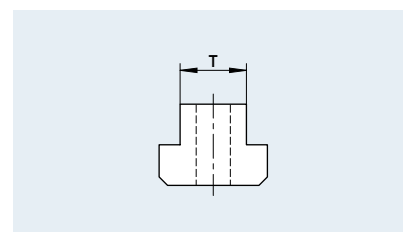


Grooved jaws

Code	for type
58 71 44 10	DL-HD 100
58 72 44 10	DL-HD 150



Pair of clamps with screws and T-nuts



T-nuts code						for type
mm 12	mm 14	mm 16	mm 18	mm 20	mm 22	
58 71 27 92	58 71 27 93	58 71 27 94	58 71 27 95	58 71 27 96	58 71 27 97	DL-HD 100
58 72 27 92	58 72 27 93	58 72 27 94	58 72 27 95	58 72 27 96	58 72 27 97	DL-HD 150

